

DSM

CONTRACT
LIFTING
SERVICES



**32T Rigid Lorry
& 71TM Crane**

TECHNICAL INFORMATION

32T RIGID LORRY & 71TM CRANE



This unique offering fills a very handy gap in the marketplace, as we can deliver to site then lift off and position effortlessly in some of the tightest locations imaginable!

There are jobs we can cover with this which historically would have needed a special order etc... so this is a very cost effective option for some installs.

When coupled to a trailer, we can collect or deliver loads of up to 18 tonnes in combination.

Equipped with a front outriggers to offer 360 degree lifting duties and very capable hydraulic crane.



The Old Rectory, Church Road, Bowers Gifford, Basildon. SS13 2F:G

0203 948 9659

contracts@dsmcls.co.uk

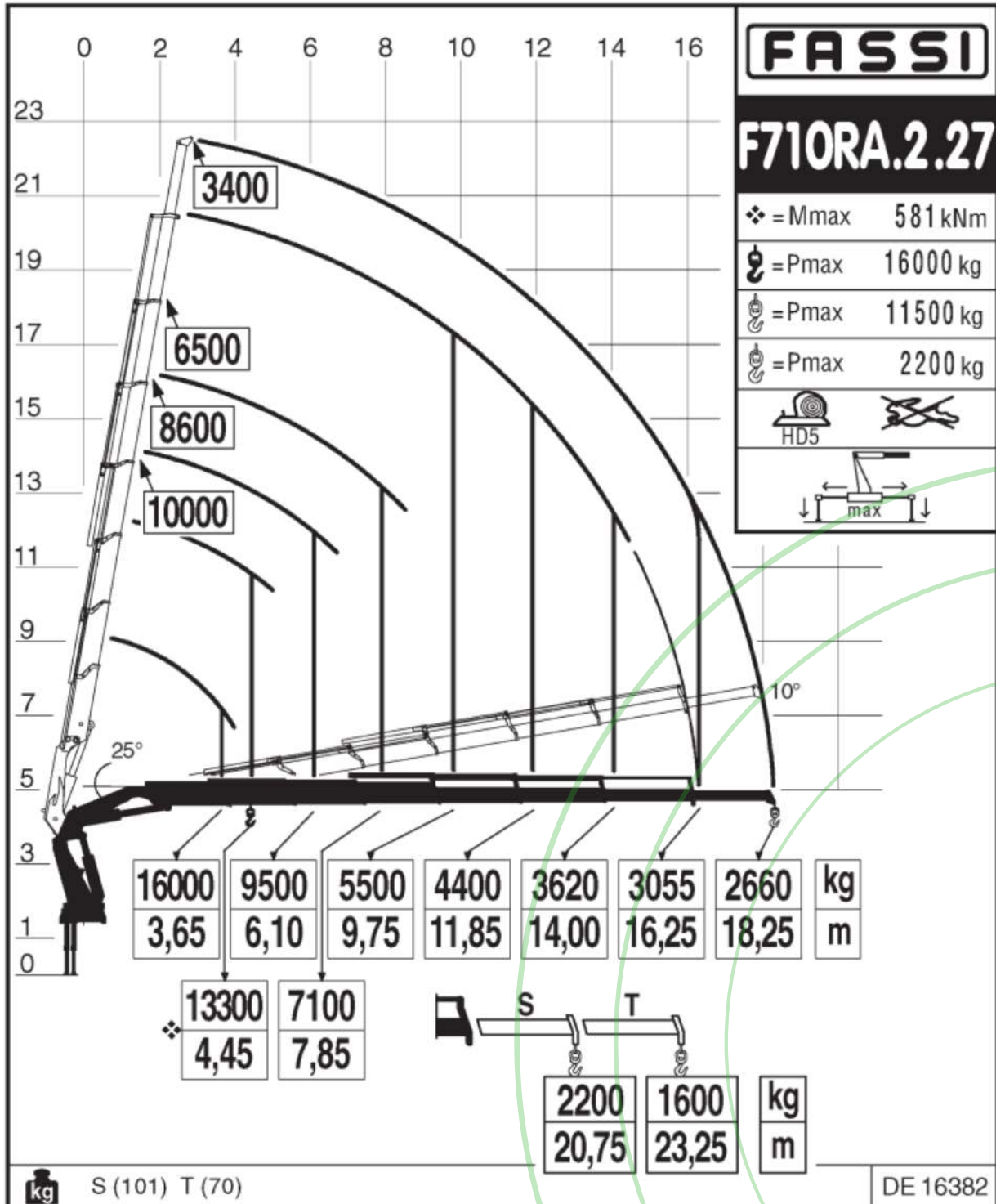
www.dsmcls.com

SPECIFICATIONS

32T RIGID LORRY & 71TM CRANE

FASSI 710 WITH MAIN BOOM + FLY (NO WINCH)

FRONT OUTRIGGERS OFFER FULL 360 DEGREE LIFTING DUTIES



Bed length 9m. Additional 6m trailer available to hire on request.

The Old Rectory, Church Road, Bowers Gifford, Basildon. SS13 2HG

0203 948 9659

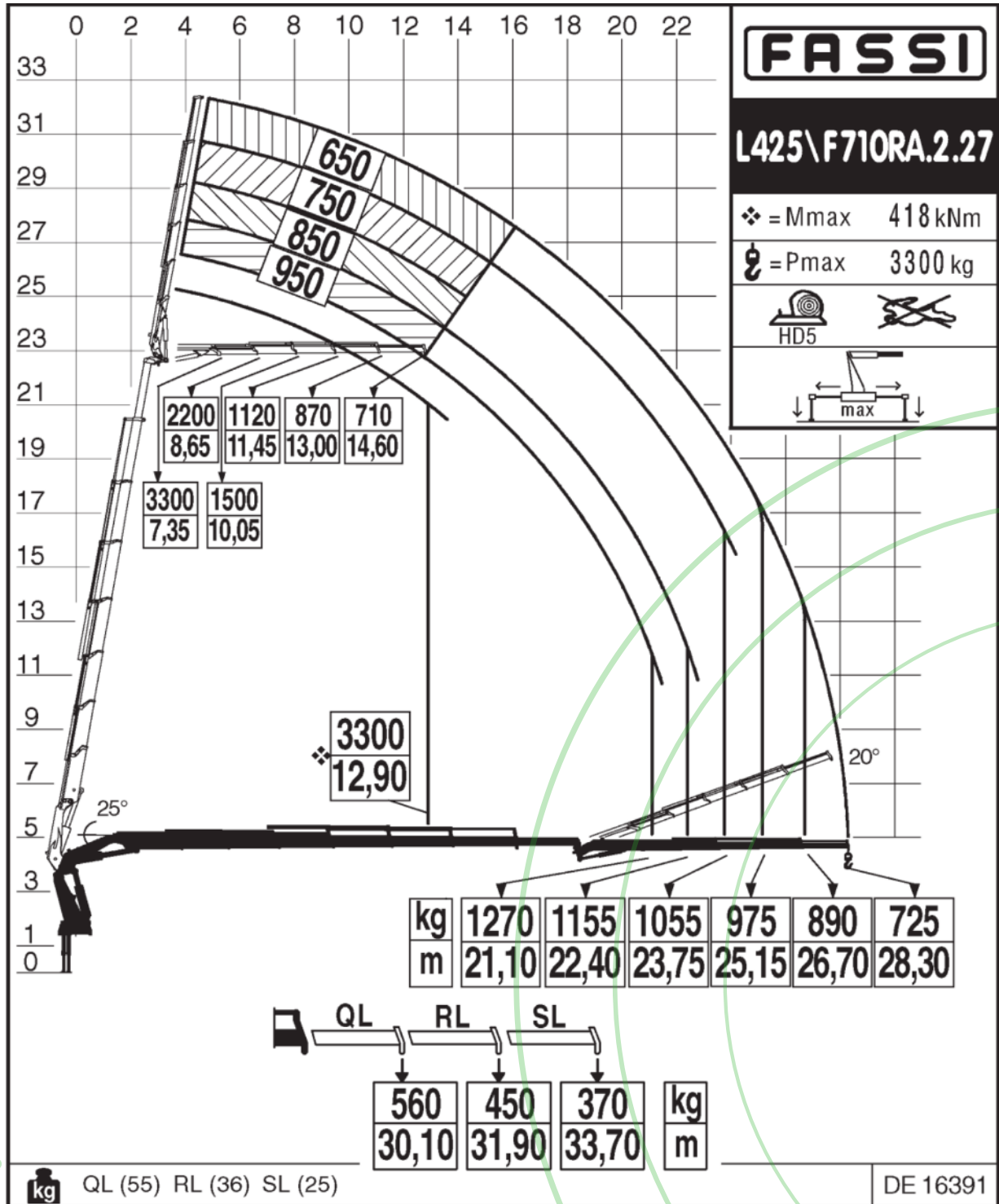
contracts@dsmcls.co.uk

www.dsmcls.com

SPECIFICATIONS

32T RIGID LORRY & 71TM CRANE

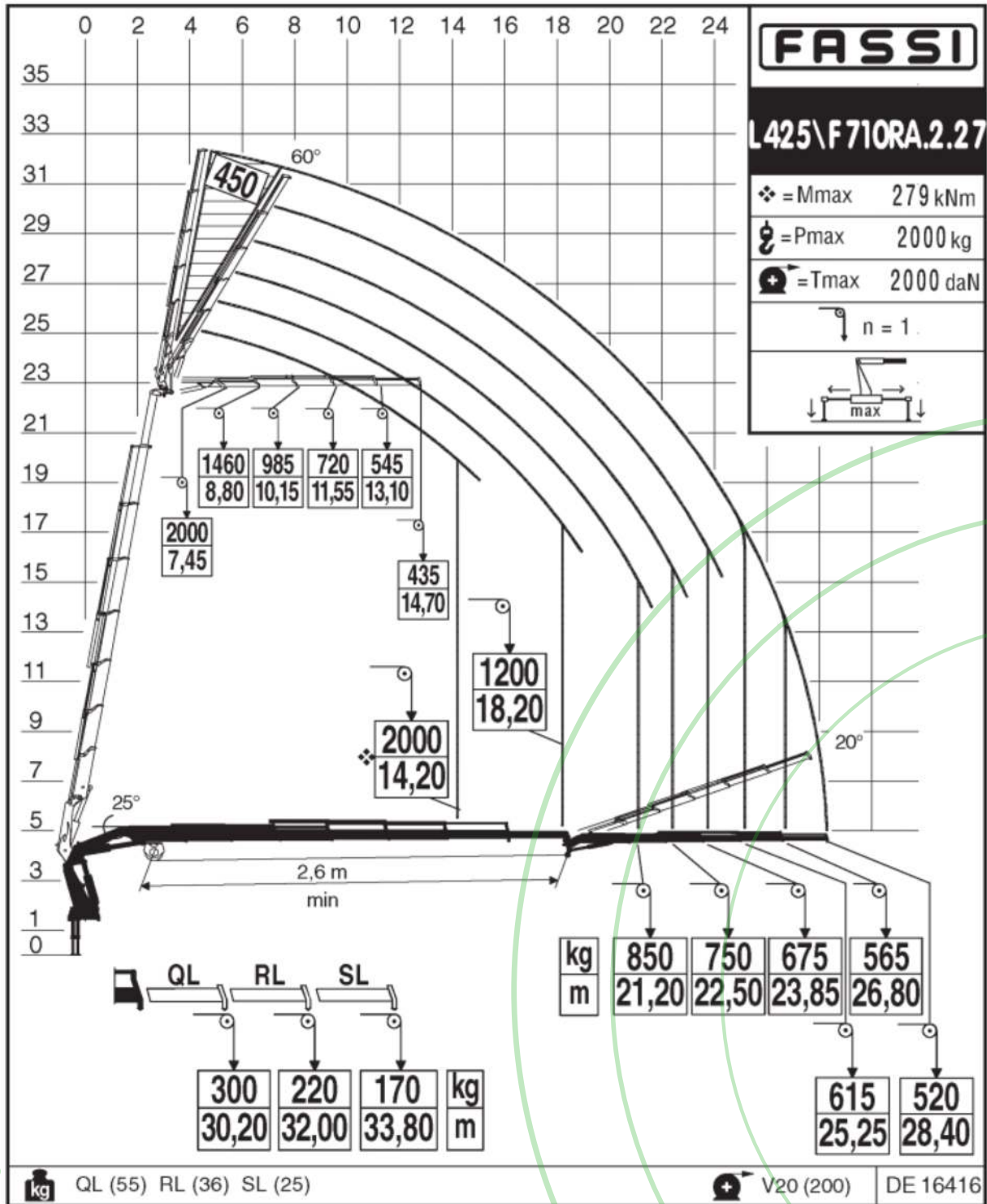
FASSI 710 WITH MAIN BOOM + FLY (NO WINCH) FRONT OUTRIGGERS OFFER FULL 360 DEGREE LIFTING DUTIES



SPECIFICATIONS

32T RIGID LORRY & 71TM CRANE

FASSI 710 WITH MAIN BOOM + FLY (WITH WINCH) FRONT
OUTRIGGERS OFFER FULL 360 DEGREE LIFTING DUTIES

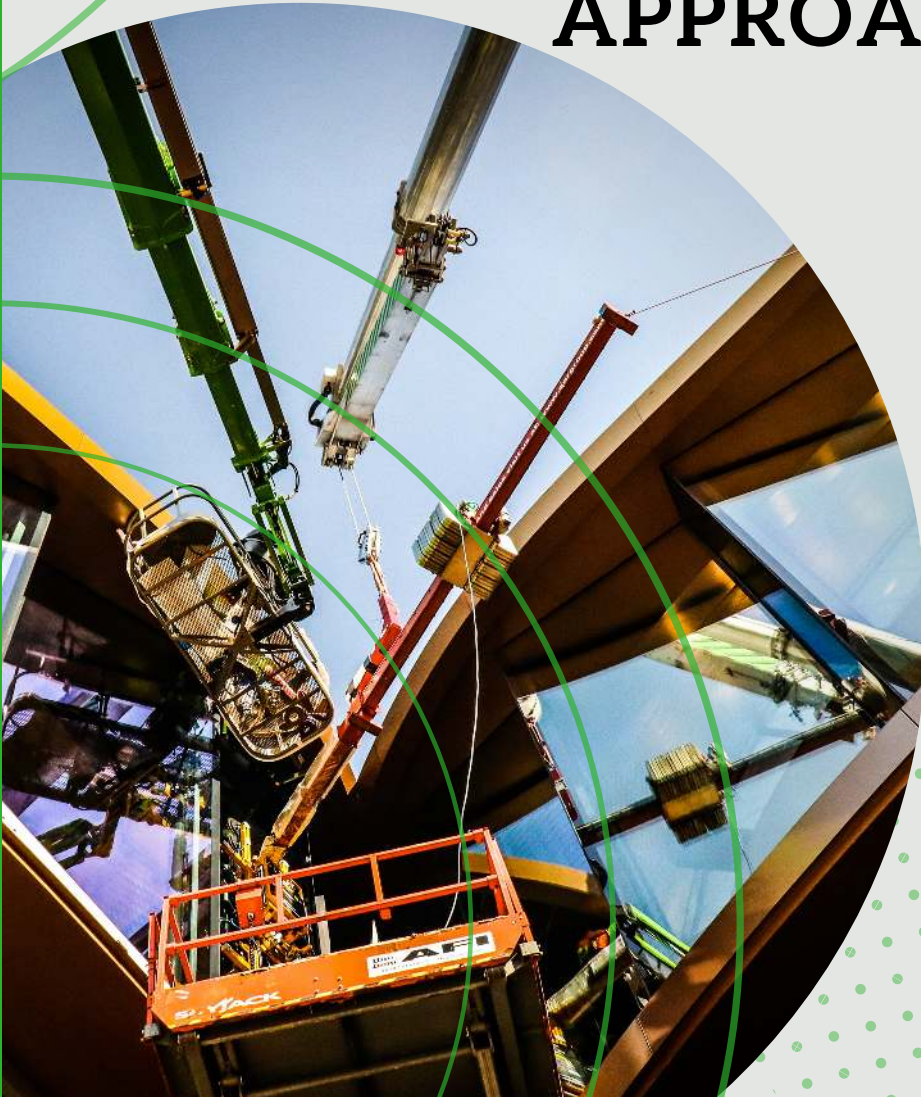




“

**IT'S CONTRACT
LIFTING, WITH
A PROJECT
APPROACH**

”



The Old Rectory, Church Road, Bowers Gifford, Basildon. SS13 2HG

0203 948 9659

contracts@dsmcls.co.uk

www.dsmcls.com