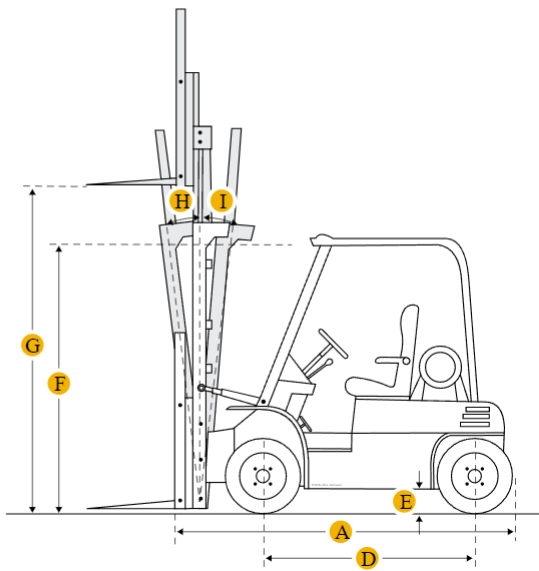
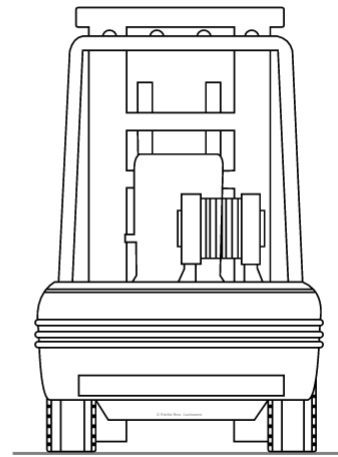
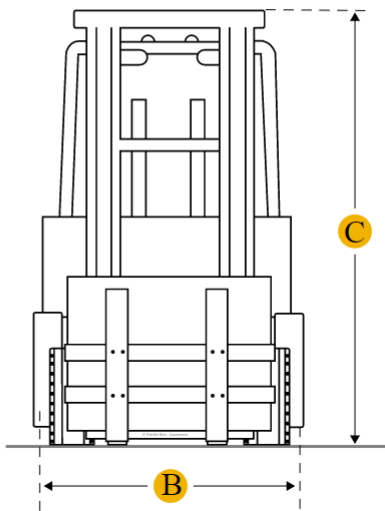




CONTRACT
LIFTING
SERVICES

Hyster S40FT Forklift





**CONTRACT
LIFTING
SERVICES**



Dimensions

Dimensions

A	Length To Fork Face	2238 mm
B	Overall Width	1067 mm
C	Overall Height - Mast Lowered	2135 mm
D	Wheelbase	1430 mm
E	Ground Clearance	125 mm
F	Height To Top Of Overhead Guard	2128 mm
G	Max Fork Height	3292 mm

Mast

H	Mast Tip Forward	5 degrees
I	Mast Tip Rear	5 degrees
	Lower Speed	34.75 m/min
	Load Center	609.6 mm
	Load Capacity	1814.37 kg
	Lift Speed	36.58 m/min

Engine

Number Of Cylinders	4
Engine Make	2357
Engine Model	PSI 2.4L
Power	44 kw
Torque	164.1 Nm
Power Measured @	2700 rpm
Displacement	2.4 L
Torque Measured @	2000 rpm
Fuel Type	LP/Gas

Operational

Operating Weight	3539 kg
Tire Type	Cushion
Number Of Front Wheels	2
Number Of Rear Wheels	2
Max Speed	18.2 km/h
Drawbar Pull	2414.1 kg
Fuel Capacity	40.6 L
Front Tire Size	21 X 7 x 15
Rear Tire Size	16 x 5 x 10.5
Hydraulic System Relief Valve Pressure	15513.2 kPa
Hydraulic Tank	36 L
Axle Load - Front	1619.4 kg
Axle Load - Rear	1920.1 kg