

DSM

CONTRACT
LIFTING
SERVICES



**3.5T Delivery Truck
with Crane**

TECHNICAL INFORMATION

3.5T DELIVERY TRUCK WITH CRANE

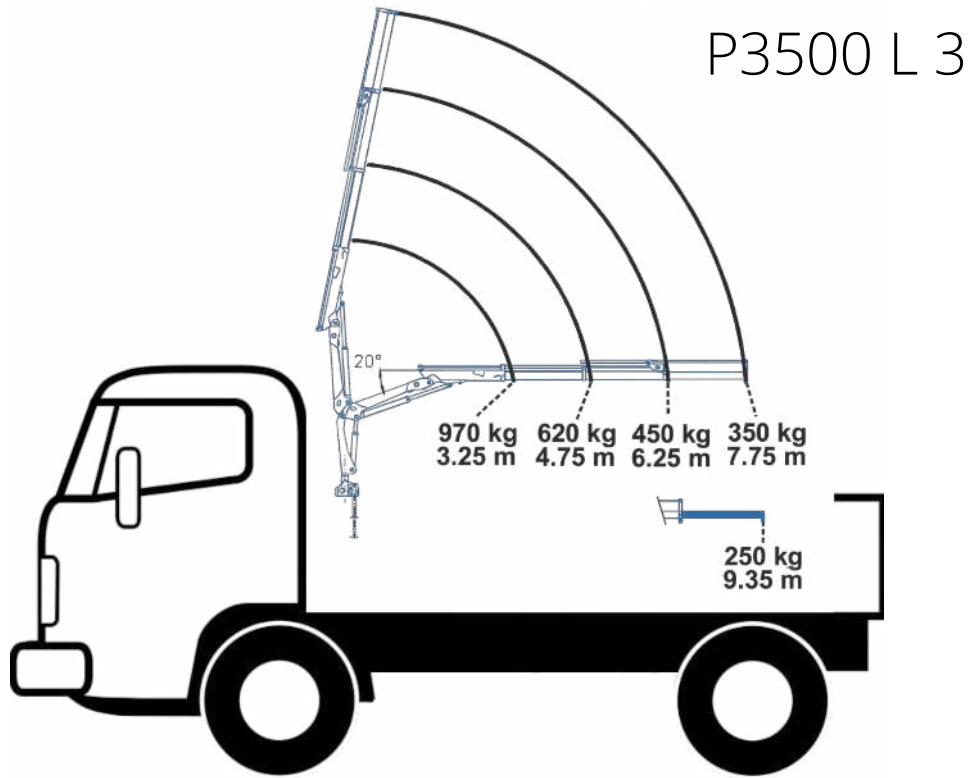
This unique offering fills a very handy gap in the marketplace, as we can deliver to site then lift off and position effortlessly in some of the tightest locations imaginable!

There are jobs we can cover with this which historically would have needed a special order spider crane etc... so this is a very cost effective option for some installs.



SPECIFICATIONS

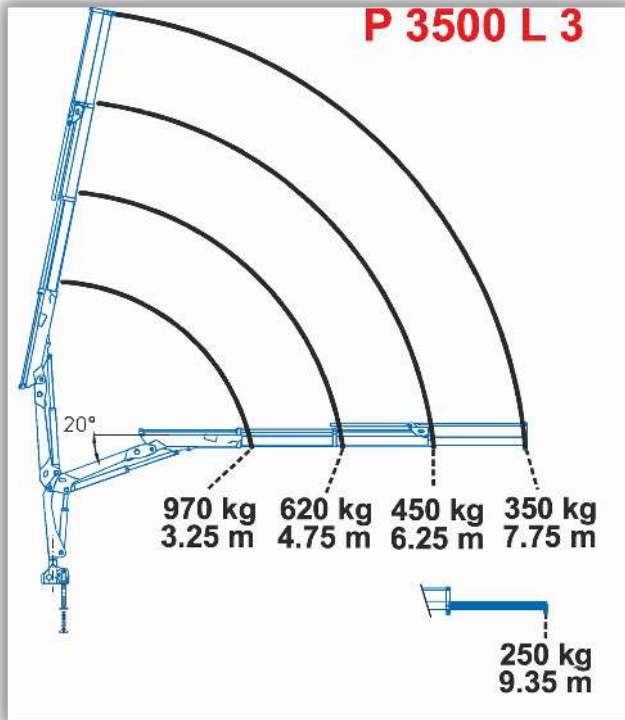
3.5T TRUCK C/W FRONT MOUNT 3.5TM CRANE WITH WINCH



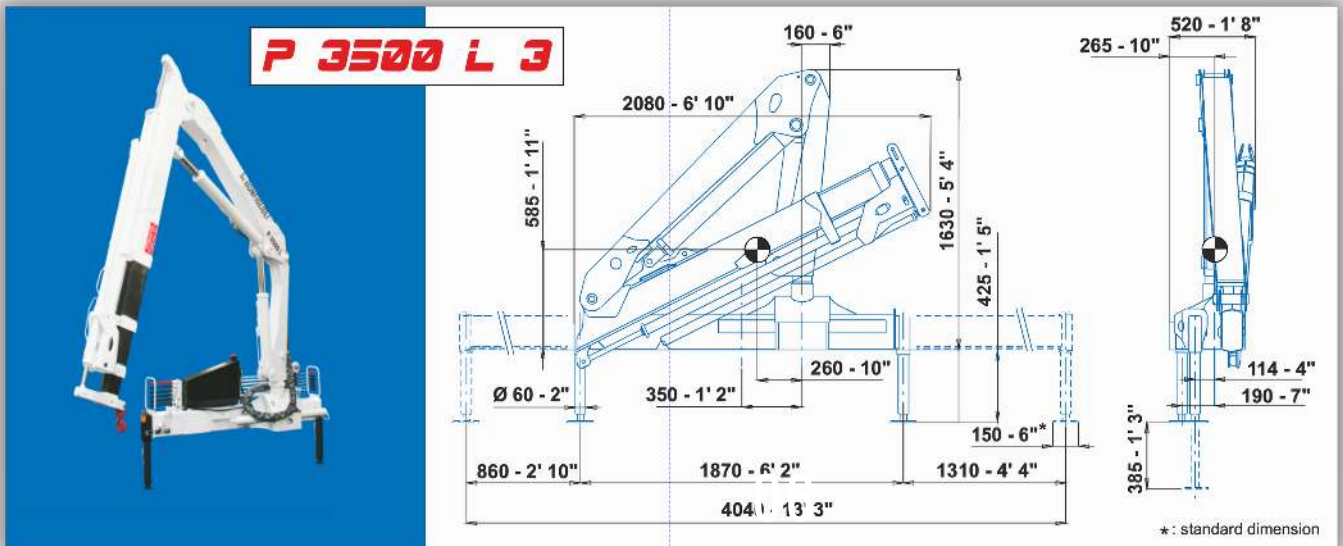
Bed length 3m. Additional 4m trailer available to hire on request.



SPECIFICATIONS



- A quick, agile, and cost effective platform for deliveries of up to 0.75 tonne.
- It's ideal for rapid deployment and working in built up urban areas also extremely restricted site access areas.
- When coupled to a trailer, we can collect or deliver loads of up to 3 tonnes in combination.
- Equipped with a front mounted and very capable hydraulic crane.
- Lift and load 670kgs at a reach of 4.5m.
- Lift 250kg at a maximum radius of 9.35m.





“

**IT'S CONTRACT
LIFTING, WITH
A PROJECT
APPROACH**

”



The Old Rectory, Church Road, Bowers Gifford, Basildon. SS13 2HG

0203 948 9659

contracts@dsmcls.co.uk

www.dsmcls.com