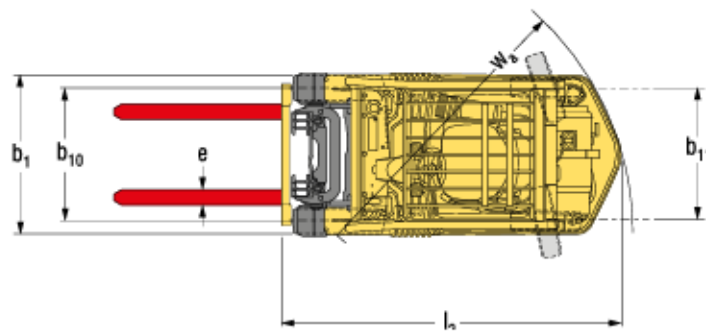
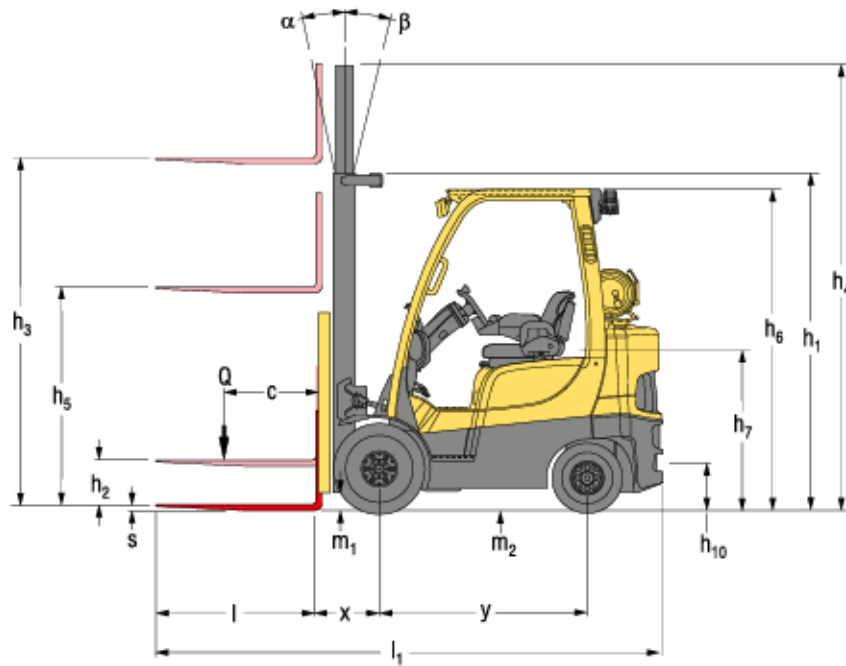




HYSTER S2 COUNTERBALANCE FORKLIFT



 = Centre of gravity of unladen truck

$$A_{st} = W_a + x + l_0 + a \text{ (see lines 4.34.1 \& 4.34.2)}$$

a = Minimum operating clearance

(VDI standard = 200 mm BITA recommendation = 300 mm)

l_0 = Load length

DSM

CONTRACT LIFTING SERVICES



FORTENS™

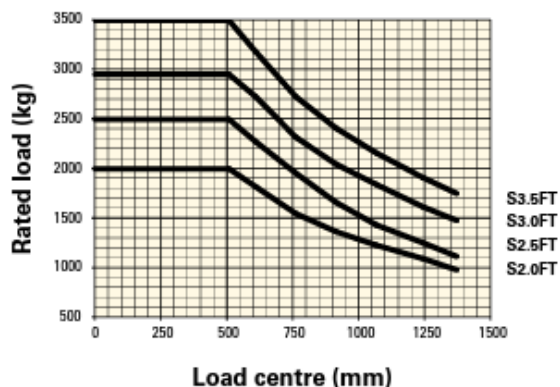


IC COUNTERBALANCED LIFT TRUCKS

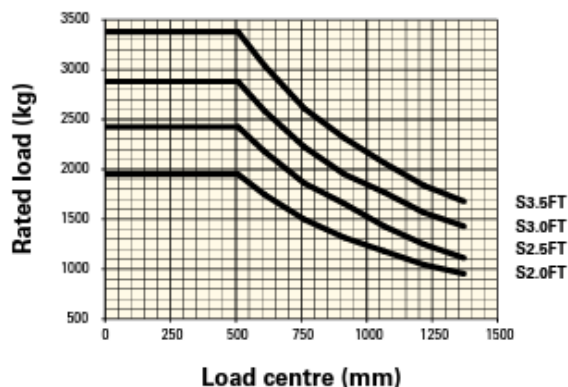
| DISTINGUISHING MARK | | HYSTER | |
|---------------------|--|-------------------------------------|-----------------|
| 1.1 | Manufacturer (abbreviation) | S20FT | |
| 1.2 | Manufacturer's type designation | Fortens Advance+ | |
| | Model | Kubota 2.5L DuraMatch™ 1 Speed | |
| | Engine / transmission | ADS Drum Brakes | |
| | Brake type | LPG | |
| 1.3 | Drive: electric (battery or mains), diesel, petrol, fuel gas | Seated | |
| 1.4 | Operator type: hand, pedestrian, standing, seated, order-picker | 2.0 | |
| 1.5 | Rated capacity/rated load | Q (t) | 500 |
| 1.6 | Load centre distance | c (mm) | 390 |
| 1.8 | Load distance, centre of drive axle to fork | x (mm) | 1430 |
| 1.9 | Wheelbase | y (mm) | |
| WEIGHTS | | | |
| 2.1 | Service weight | kg | 3555 |
| 2.2 | Axle loading laden, front/rear | kg | 4682 688 |
| 2.3 | Axle loading unladen, front/rear | kg | 1618 1937 |
| TYRES/GRASS | | | |
| 3.1 | Tyres: L = pneumatic, V = solid, SE = pneumatic-shaped solid | V | |
| 3.2 | Tyre size, front | 21 x 8 - 15 | |
| 3.3 | Tyre size, rear | 16 x 6 - 10.5 | |
| 3.5 | Number of wheels, front/rear (X = driven) | 2x | 2 |
| 3.6 | Tread, front | b ₁₀ (mm) | 929 |
| 3.7 | Tread, rear | b ₁₁ (mm) | 914 |
| DIMENSIONS | | | |
| 4.1 | Tilt of mast/fork carriage forward/backward | α /β (°) | 5 5 |
| 4.2 | Height of mast, lowered | h ₁ (mm) | 2135 |
| 4.3 | Free lift, † | h ₂ (mm) | 100 |
| 4.4 | Lift † | h ₃ (mm) | 3250 |
| 4.5 | Height of mast, extended + | h ₄ (mm) | 3845 |
| 4.7 | Height of overhead guard (cabin) ■ | h ₅ (mm) | 2128 |
| 4.8 | Seat height relating to SIP/stand height ○ | h ₆ (mm) | 1024 |
| 4.12 | Coupling height | h ₁₀ (mm) | 300 |
| 4.19 | Overall length | l ₁ (mm) | 3226 |
| 4.20 | Length to face of forks | l ₂ (mm) | 2226 |
| 4.21 | Overall width ⇄ | b ₁ /b ₂ (mm) | 1108 1242 |
| 4.22 | Fork dimensions DIN ISO 2331 | s/e/l (mm) | 40 x 100 x 1000 |
| 4.23 | Fork carriage ISO 2328, class/type A, B | | II A |
| 4.24 | Fork carriage width ● | b ₃ (mm) | 980 |
| 4.31 | Ground clearance, laden, below mast | m ₁ (mm) | 89 |
| 4.32 | Ground clearance, centre of wheelbase | m ₂ (mm) | 125 |
| 4.34.1 | Aisle width for pallets 1000 x 1200 crossways | Ast (mm) | 3540 |
| 4.34.2 | Aisle width for pallets 800 x 1200 lengthways | Ast (mm) | 3740 |
| 4.35 | Turning radius | W ₁ (mm) | 1950 |
| 4.36 | Internal turning radius | b ₁₂ (mm) | 586 |
| 4.41 | 90° intersecting aisle (with pallet W = 1200mm, L = 1000mm) | | 1839 |
| 4.42 | Step height (from ground to running board) | (mm) | 350 |
| 4.43 | Step height (between intermediate steps between running board and floor) | (mm) | 295 |
| PERFORMANCE DATA | | | |
| 5.1 | Travel speed, laden/unladen | km/h | 17.8 18.0 |
| 5.2 | Lift speed, laden/unladen | m/s | 0.62 0.64 |
| 5.3 | Lowering speed, laden/unladen | m/s | 0.58 0.50 |
| 5.5 | Drawbar pull, laden/unladen † | N | 18010 8820 |
| 5.6 | Maximum drawbar pull, laden/unladen | N | 20825 8820 |
| 5.7 | Gradeability, laden/unladen †† | % | 25.4 24.4 |
| 5.9 | Acceleration time, laden/unladen | | 4.5 4.1 |
| 5.10 | Service brake | | Hydraulic |
| COMBUSTION ENGINE | | | |
| 7.1 | Engine manufacturer/type | Kubota 2.5L | |
| 7.2 | Engine power according to ISO 1585 | kW | 43.9 |
| 7.3 | Rated speed | rpm | 2500 |
| 7.4 | Number of cylinders/displacement | cm ³ | 4 2491 |
| 7.5 | Fuel consumption according to VDI cycle ††† | l/h or kg/h | 2.7 |
| 7.1 | Battery voltage/nominal capacity | (V)(Ah) | 12 65 |
| ADDITIONAL DATA | | | |
| 8.1 | Type of drive unit | Automatic | |
| 10.1 | Operating pressure for attachments | bar | 0 - 155 |
| 10.2 | Oil volume for attachments ◊ | l/min | 66 |
| 10.3 | Hydraulic oil tank, capacity | litres | 36.1 |
| 10.7 | Sound pressure level at the driver's seat ◊ | dB(A) | 78 |
| 10.7.2 | Guaranteed sound power 2000/14/EC | | 101 |
| 10.8 | Towing coupling type | | Pin |

RATED CAPACITIES

STANDARD CARRIAGE



INTEGRAL SIDESHIFT AND FORK POSITIONING CARRIAGE



Load centre

Distance from front of forks to centre of gravity of load.

Rated load

Based on vertical masts up to 4 350 mm (S2.0-2.5FT) and 4 170 mm (S3.0-3.5FT).

MAST AND CAPACITY INFORMATION

S2.0-2.5FT MASTS

| | Maximum fork height (mm) | Back tilt | Overall lowered height (mm) | Overall Extended height (mm) | Free lift (top of forks) (mm) |
|---------------------------|--------------------------|-----------|-----------------------------|------------------------------|-------------------------------|
| 2-stage Limited Free Lift | 3290 | 5° | 2135 | 4515 + | 140 ▽ |
| | 4830 | 5° | 2985 | 6055 + | 140 ▽ |
| 2-stage Full Free Lift | 3300 | 5° | 2135 | 4525 + | 1575 ▽ |

Engine

| | |
|----------------------------|----------|
| Number Of Cylinders | 4 |
| Engine Make | 2357 |
| Engine Model | PSI 2.4L |
| Power | 44 kw |
| Torque | 164.1 Nm |
| Power Measured @ | 2700 rpm |
| Displacement | 2.4 L |
| Torque Measured @ | 2000 rpm |
| Fuel Type | LP/Gas |

Operational

| | |
|---|---------------|
| Operating Weight | 3539 kg |
| Tire Type | Cushion |
| Number Of Front Wheels | 2 |
| Number Of Rear Wheels | 2 |
| Max Speed | 18.2 km/h |
| Drawbar Pull | 2414.1 kg |
| Fuel Capacity | 40.6 L |
| Front Tire Size | 21 X 7 x 15 |
| Rear Tire Size | 16 x 5 x 10.5 |
| Hydraulic System Relief Valve Pressure | 15513.2 kPa |
| Hydraulic Tank | 36 L |
| Axle Load - Front | 1619.4 kg |
| Axle Load - Rear | 1920.1 kg |